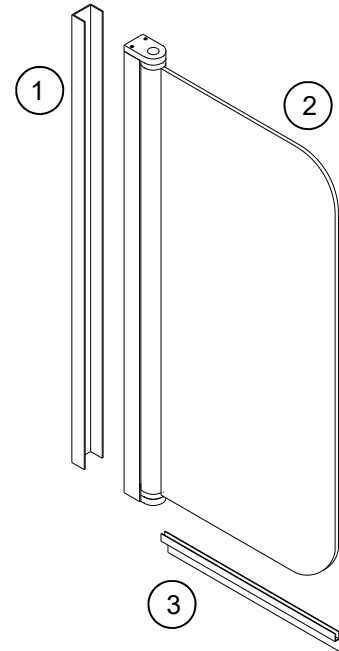


Bath Swing Panel Installation Instructions

Bath Swing Panel kit includes

1. 1 x Door Assembly
2. 1 x Wall Receiver
3. 1 x Drip Seal
4. Installation Kit that includes
 - No.6 x 10 Pan Sq drive stainless steel screws (6)
 - 3 x No.6 x 38 Pan Sq drive stainless steel screws (4)
 - White Screw Cover Caps (6)
 - Cleaning Towelette (1)



Tools Required

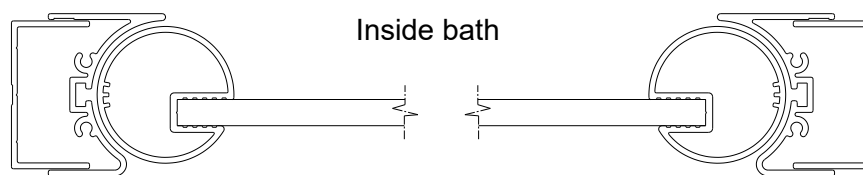
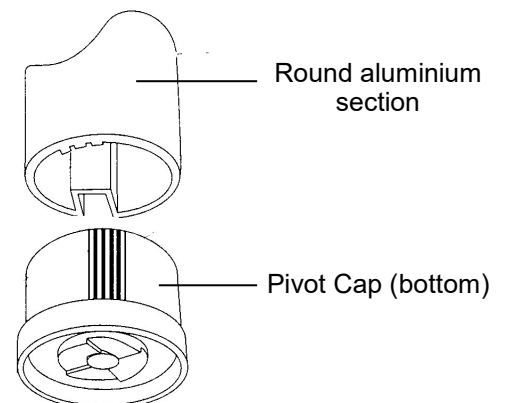
- Drill
- No.1 Sq Drive bit
- Spirit Level
- Sanitary Grade silicone sealant (white)
- Screwdriver
- 4.5 mm Drill Bit
- 3.0 mm Drill Bit

Please read these Instructions before commencing installation

- It is recommended that the screen be fixed into a Stud or solid noggs. If this is not possible then a Wall anchor system should be used
- Your screen has been assembled to suit a left hand hinged installation. Should you wish to hinge the screen from the right please follow the instructions below

Changing from Left to Right Hand Hinging

1. Remove the Pivot bases by undoing the screws on each end.
NOTE: Pivot bases are marked Top and Bottom
2. Remove the Pivot Caps from the round aluminium section
NOTE: these are also marked Top and Bottom
3. Reinstall the Pivot Caps into the opposite end from which they were removed
Reassemble the two aluminium sections by refitting the Pivot Bases. Ensure the configuration of the aluminium sections match as per the diagrams below



Left hand hinged

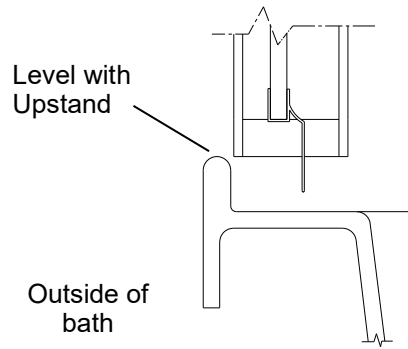
Outside bath

Right hand Hinged

Positioning of the Bath Swing

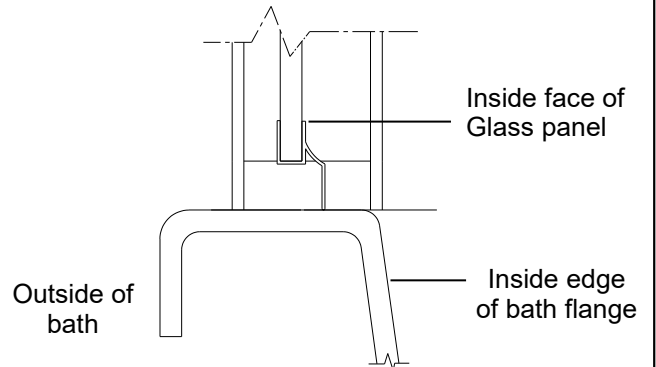
Installing on a bath with an upstand

The Bath Swing will sit level with and just inside the bath upstand.



Installing on a bath without an upstand

It is recommended that the inside face of the Door glass sits as close to the inside edge of the bath flange so any water running down the glass pane drains directly into the bath



Installation

Step 1

Drill three 4.5mm holes down the centerline of the Wall Receiver (one each end and one centrally)
Align the Wall Receiver on the bath flange (see above diagrams).
Using a Spirit Level ensure the Wall Receiver is plumb. Apply a small amount of silicone sealant into each of the drilled holes. Fix the Wall Receiver to the wall using the No.6x38mm stainless steel screws

Step 2

Fit the Door assembly over the Wall Receiver
NOTE: The Bath Swing has a self-centre cam mechanism that will return the Door panel to a neutral or 90° position. If you wish to adjust this simply unscrew the Pivot Base and realign the Bottom Cap as required

Step 3

Ensure the Bath Swing is plumb. From the outside, drill a 3.0mm hole 50mm in from each end and one centrally through the Pivot Jamb and into the Wall Receiver. Secure with No.6x10 screws provided. Repeat on the inside.
Cover the screw heads with the Cover Caps provided

Step 4

Cut the Drip seal to length and fit to the glass with the vertical blade facing the to the inside of the bath. When opening the door the drip seal should brush the top of the upstand or the bath flange while allowing it to swing freely. If the door does not swing freely shorten the vertical drip seal blade by cutting with a sharp knife or a pair of scissors

Step 5

Take the Cleaning Towelette and wipe the surfaces of the Powder coated profiles where Silicone will be applied. Allow to dry (1-2 minutes)

Seal the outside edge of the Wall Receiver to the Wall using a sanitary grade silicone sealant (not supplied)

