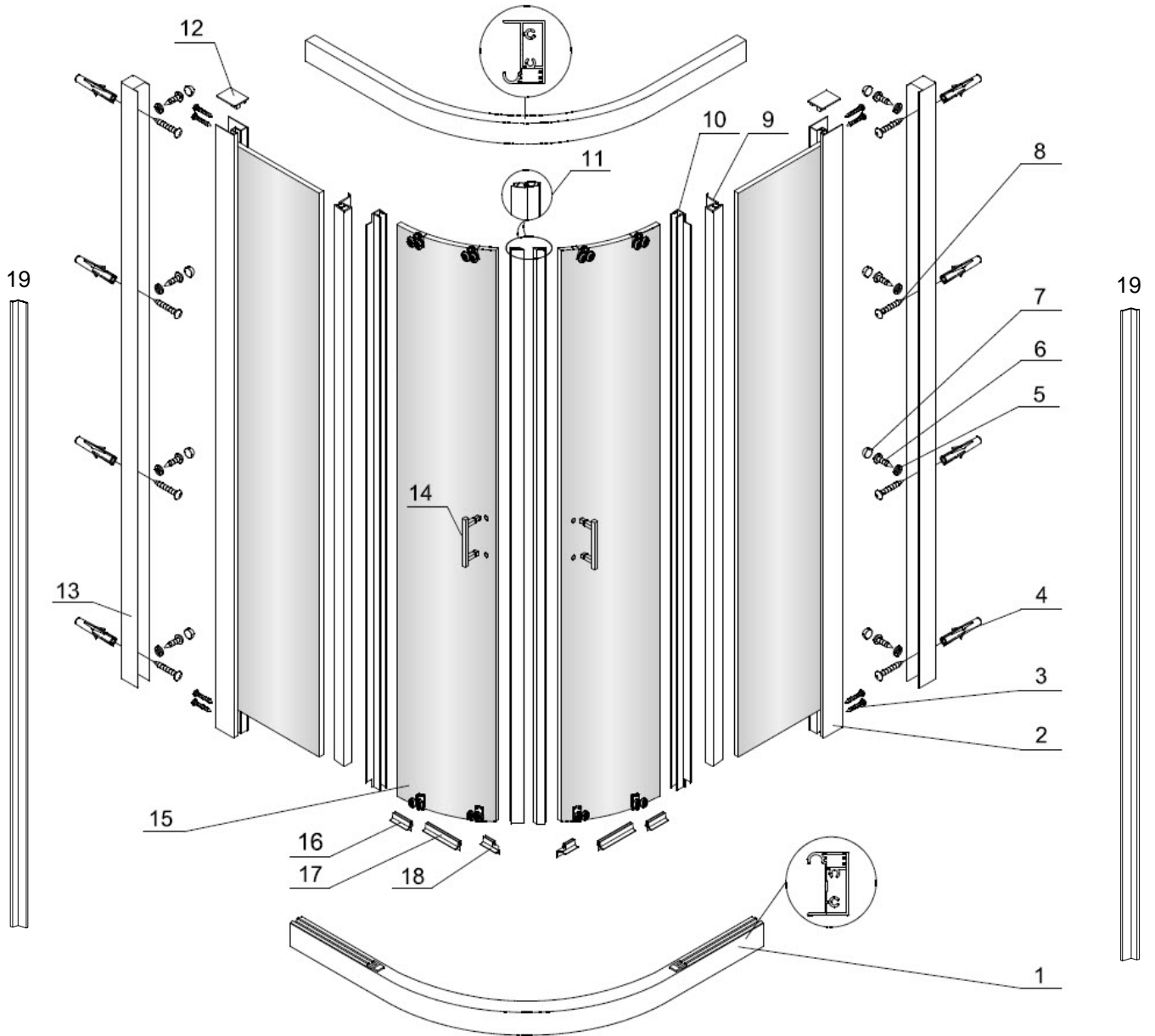


Sliding Round Shower Door Installation Instructions



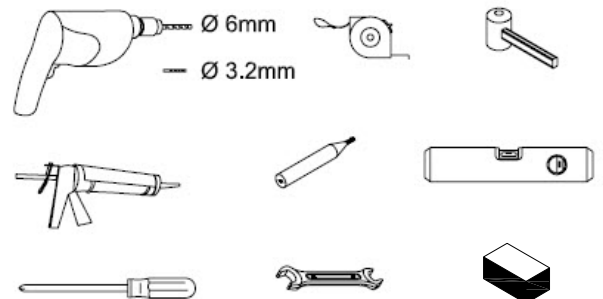
Please read these Instructions carefully

Exploded Parts Diagram



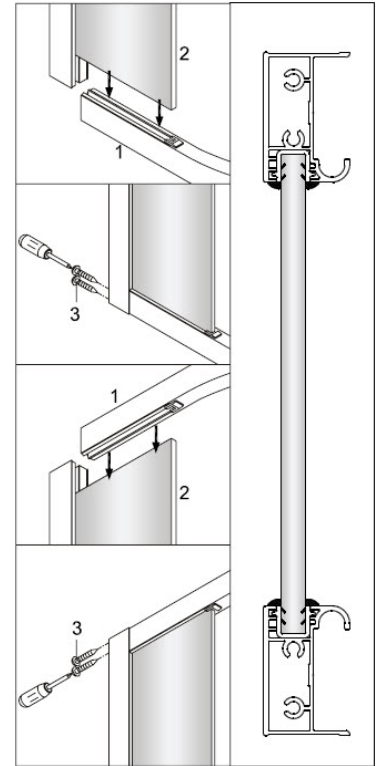
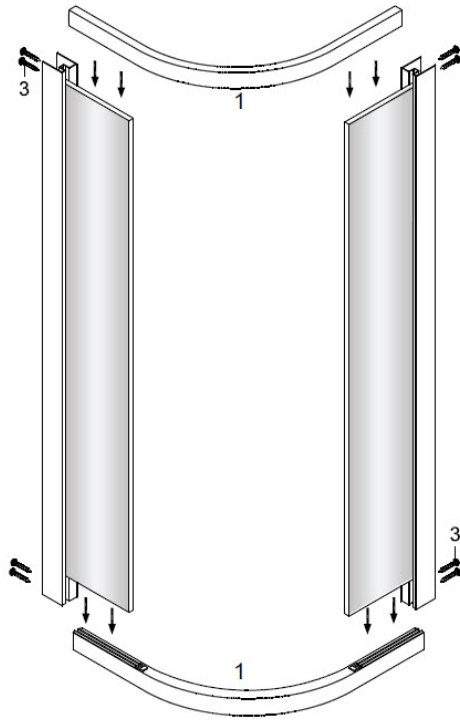
No.	Description	Qty
1.	Door Head & Sill	2
2.	Fixed Glass Panel	2
3.	Stainless Steel Screw - ST4x30	8
4.	Wall Anchors	8
5.	Washer	8
6.	Stainless Steel Screw - ST4x12	8
7.	Screw Covers	8
8.	Stainless Steel Screw - ST4x50	8
9.	Fixed Panel Vertical seal	2
10.	Door Vertical Seal	2
11.	Magnetic Door Closing seal	2
12.	Adjustable Profile Cap (LH/RH)	2
13.	Wall Receiver	2
14.	Handle Set	2
15.	Glass Door Panel	2
16.	Drip Seal 81mm	2
17.	Drip Seal 188mm	2
18.	Drip Seal -precut Left and Right	2
19.	Cover Trim	2

Tools & Materials Required



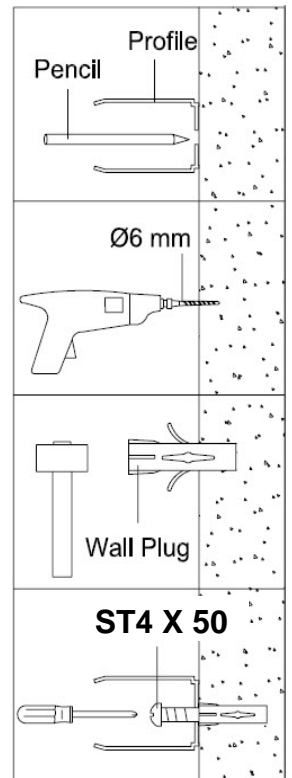
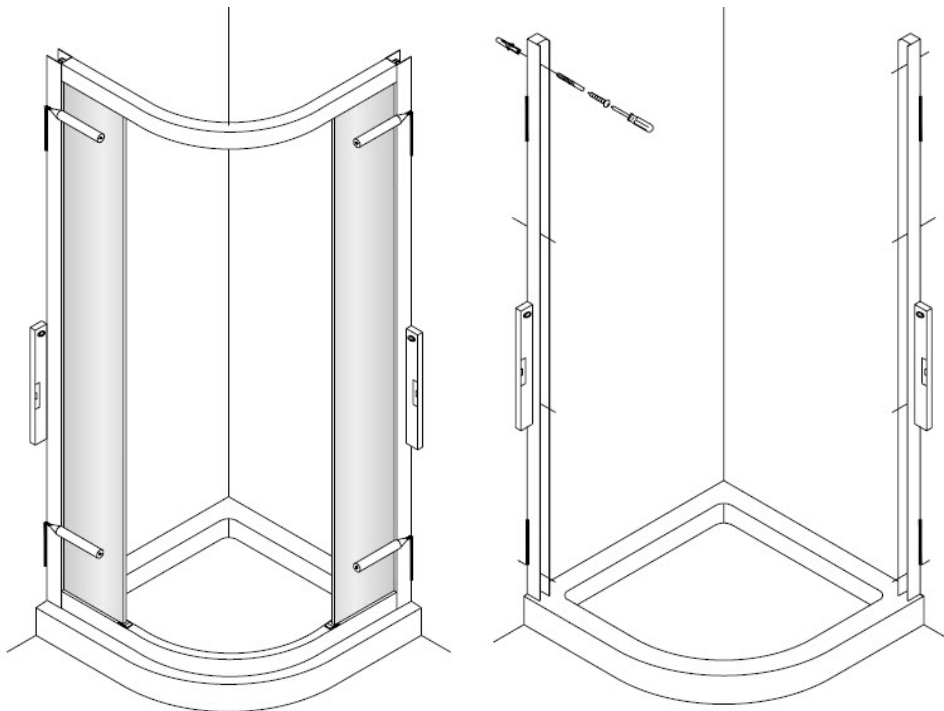
Wood blocks x 3
Minimum height—30mm

Step 1 Assembling the Door Frame



Step 2 Installing the Wall Receivers

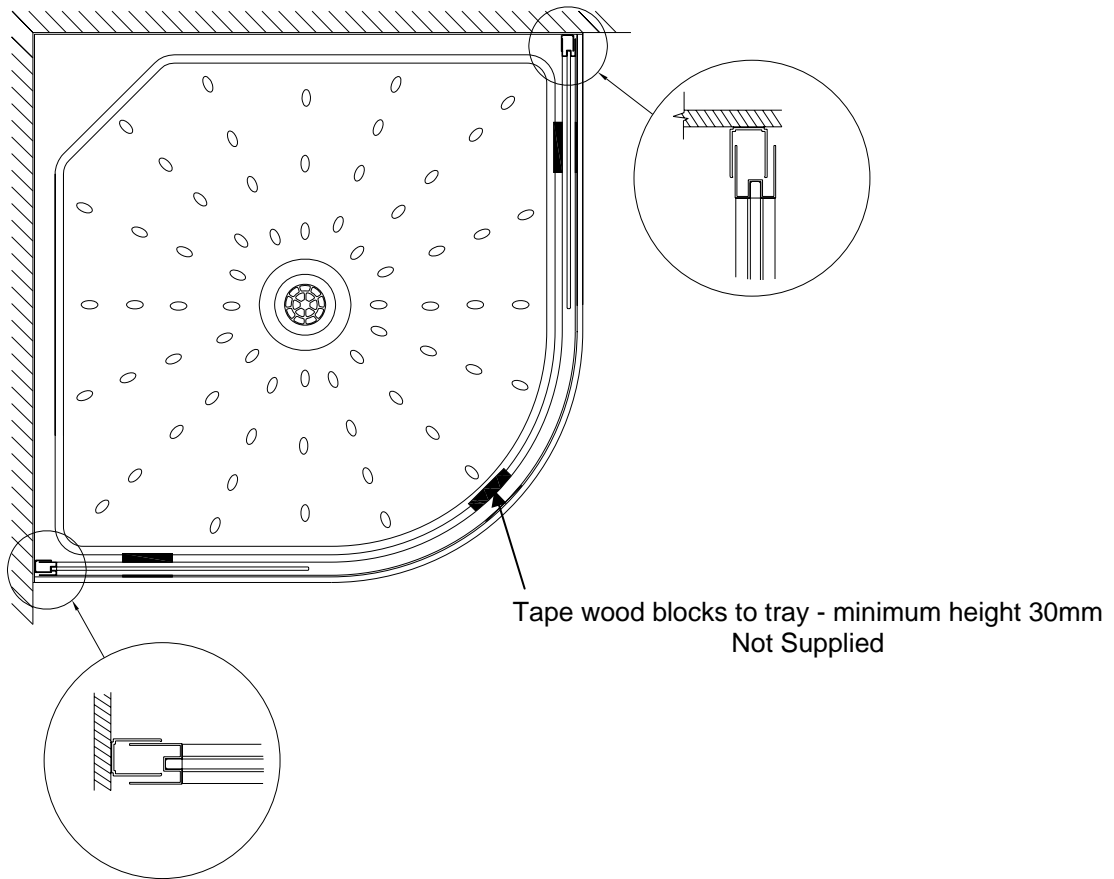
If there is no solid Stud available



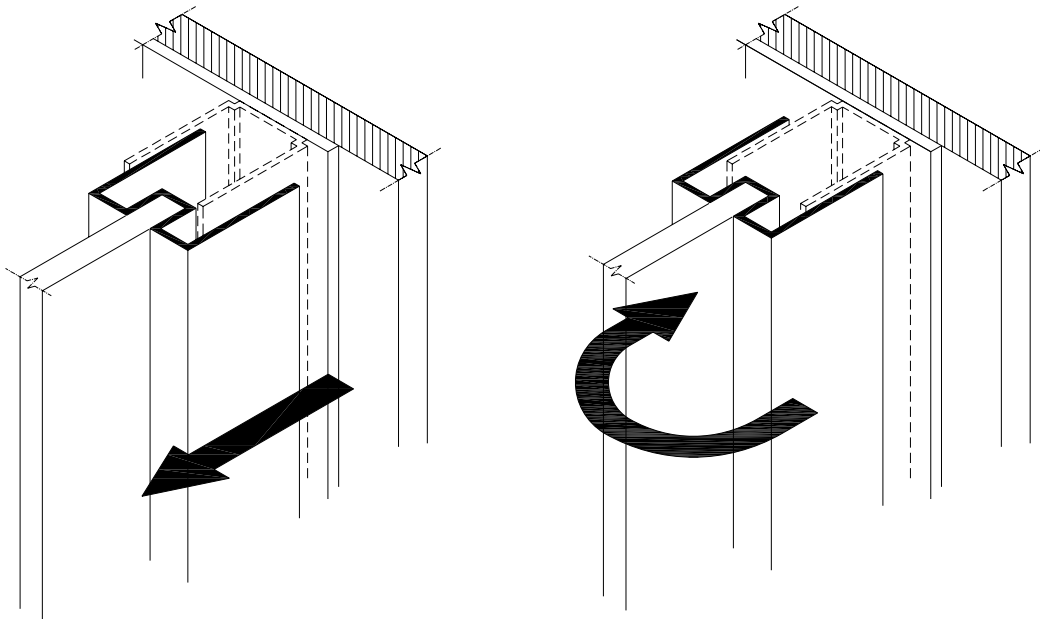
When lifting the Door Frame assembly, hold it by the vertical edges of the glass. **Under no circumstance lift by the Head and Sill as this may cause the glass to fall out of the glazing gaskets**

IMPORTANT: If tiling the walls, the Wall Receivers must be installed to the waterproof membrane before tiling. Failure to do so may result in the Shower Door set not fitting the shower tray. When tiling leave a 2mm gap either side of the Wall Receiver to allow fitment of the Door Frame assembly

Step 3 Installing the Door Frame Assembly

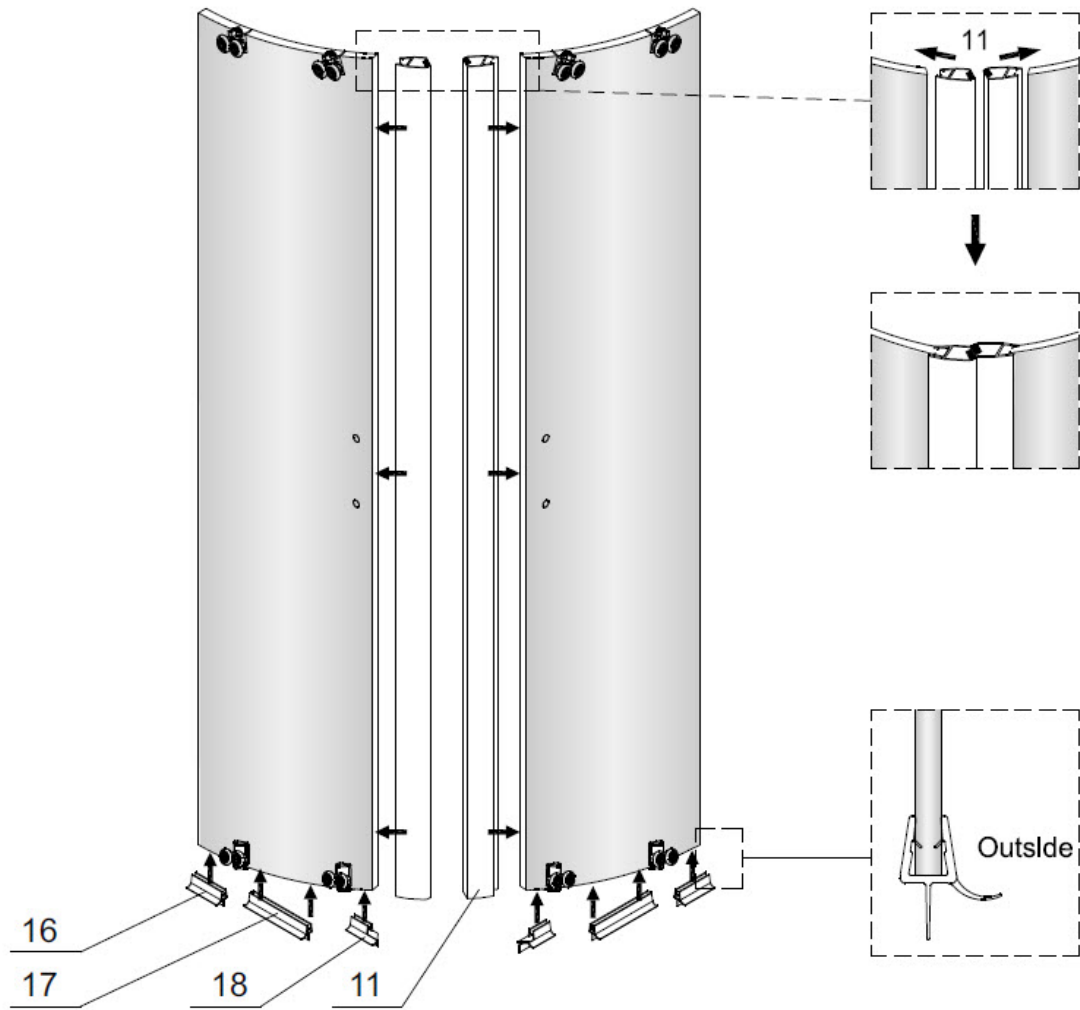


Lift Door Frame assembly onto the wood blocks and place into Wall Receivers as shown
When lifting the Door Frame assembly, hold it by the vertical edges of the glass or door frame.
Under no circumstance lift by the Head and Sill as this may cause the glass to fall out of the glazing gaskets

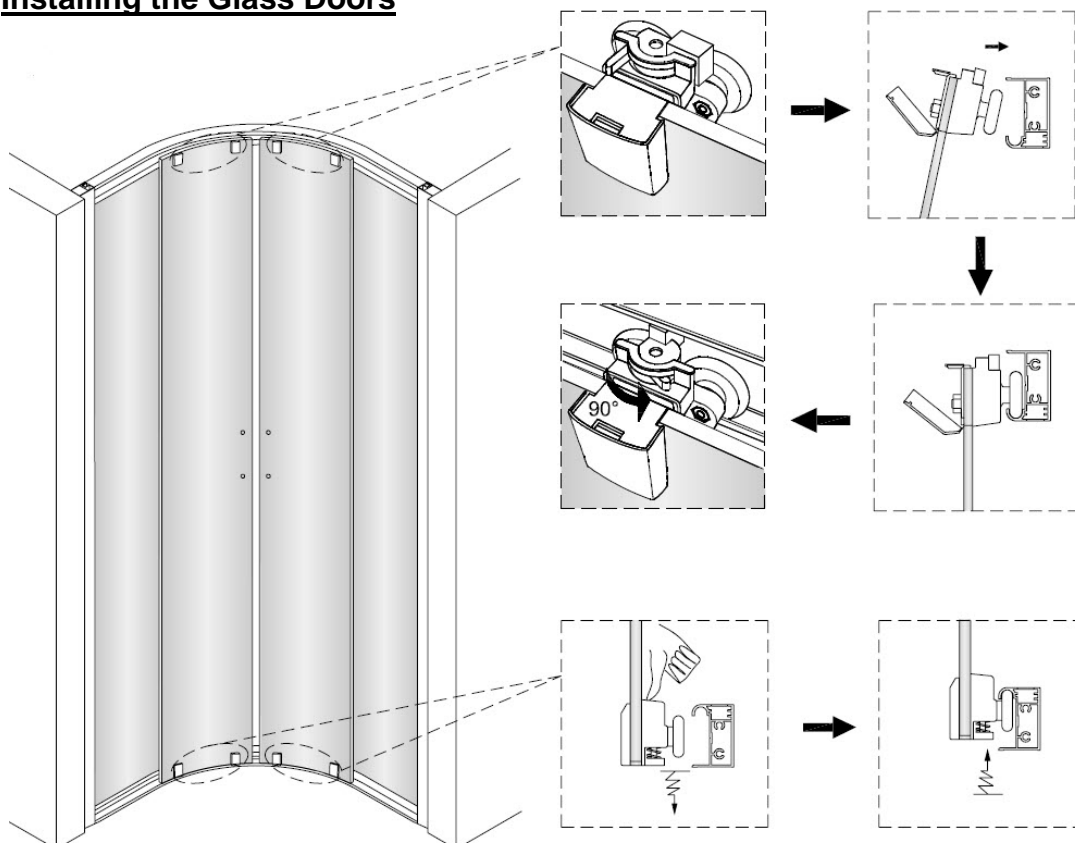


While still resting on the wood blocks "Spring" the Door Frame assembly so it sits over the legs of the Wall Receiver. Repeat for other side.
Remove wood blocks and let the assembly slide down until it rests on the tray

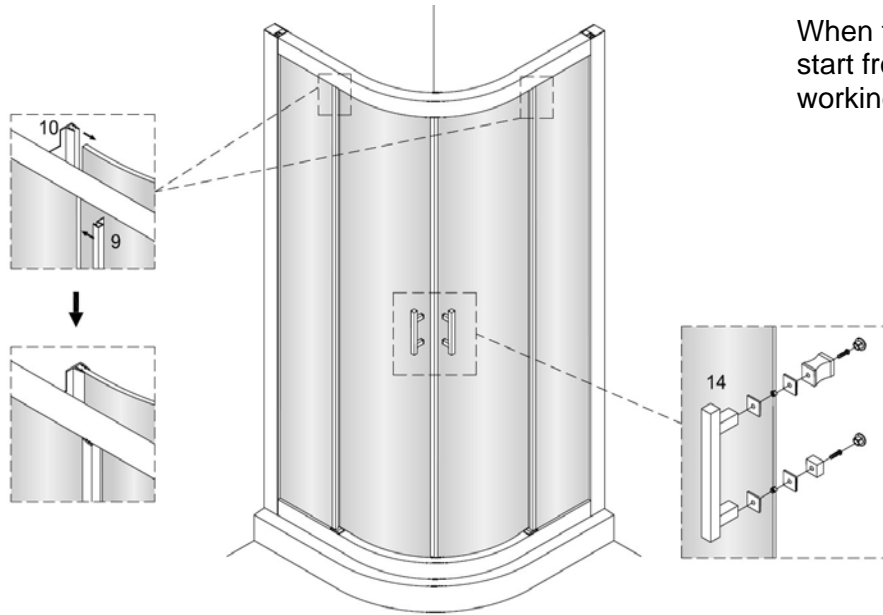
Step 4 Fitting the Magnetic Door Closing Seal & Drip Seals



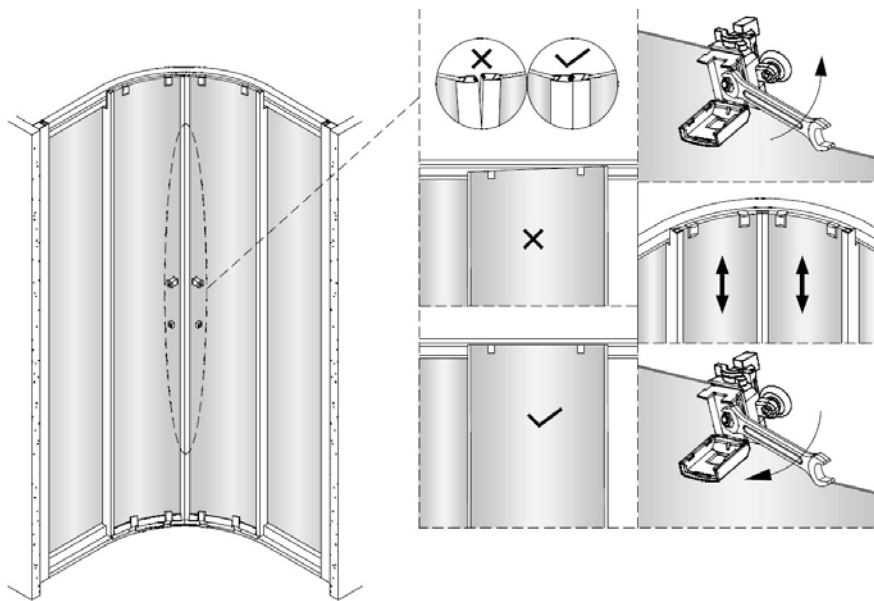
Step 5 Installing the Glass Doors



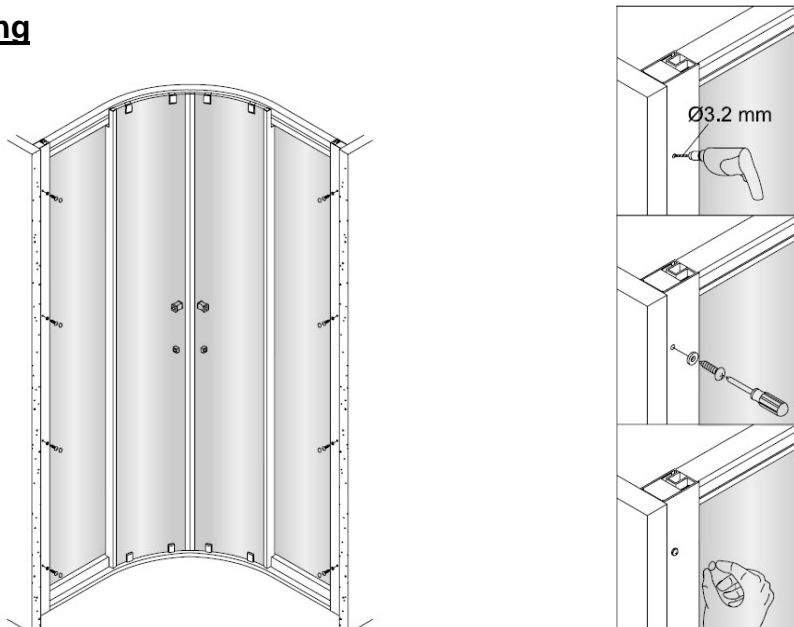
Step 6 Installing the Door Handle & Vertical Seals



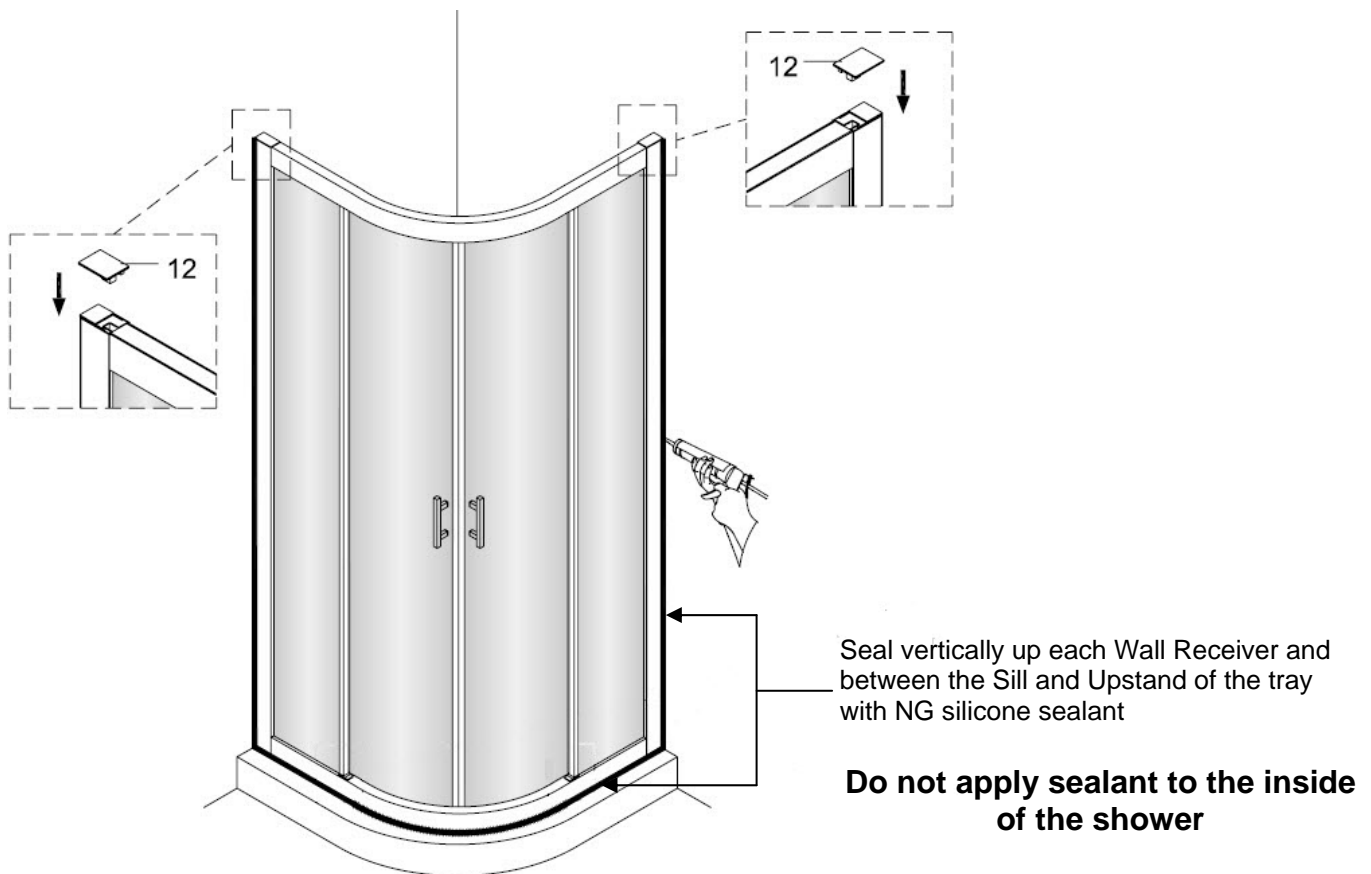
Step 7 Adjusting the Door



Step 8 Final Fixing



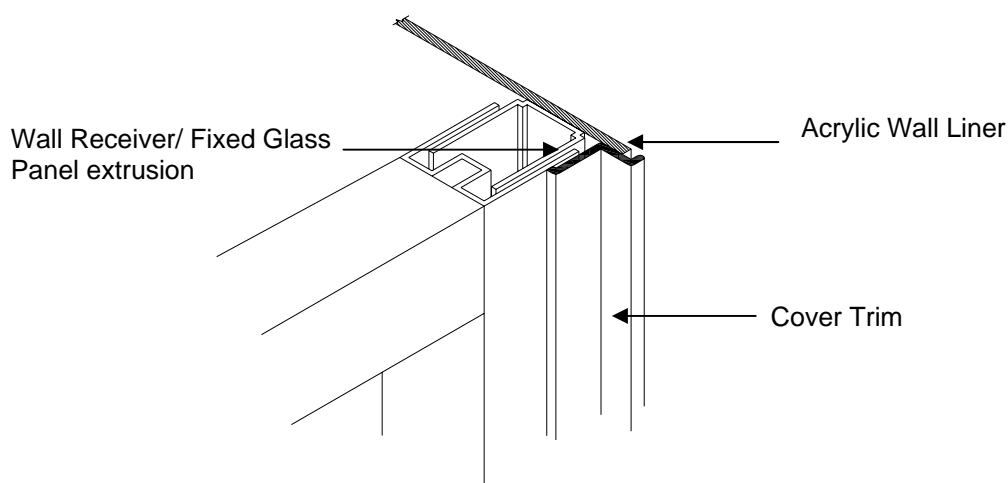
Step 9 Sealing the Enclosure & Fitting Profile Caps



Step 10 Fitting Cover trims (For acrylic wall installations only)

The Cover Trim is provided to cover the exposed vertical edge of the wall liner and is the final step of the installation.

To fit the Cover trim apply small vertical beads of silicone down the Wall Receiver/ Fixed glass panel extrusion and the exposed acrylic wall liner. Embed the Cover trim into the silicone and allow to cure. If the liner extends more than 10mm it may need to be trimmed prior to fitting the Cover Trim



For further information contact:

OPR Ltd, 54-58 Hillside Road, Private Bag 40902 Glenfield, Auckland 1310, New Zealand
Telephone: (09) 444 3780, Facsimile: 0800 88 00 11